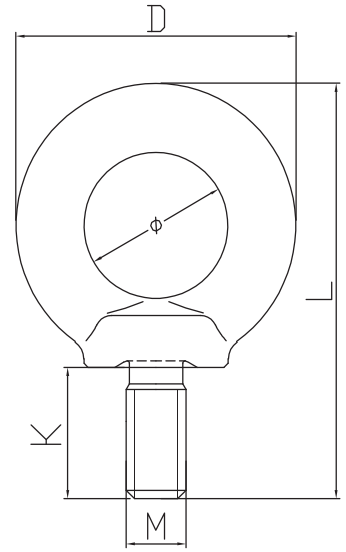
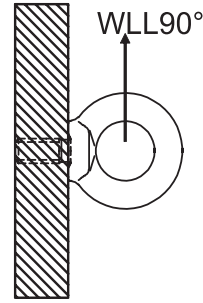
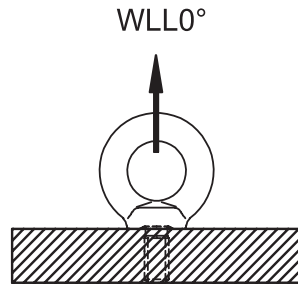




G80 SLR EYE BOLT



TECHNICAL PARAMETERS

Product Code	Size	WLL(T)		Torque	Dimension				Weight
		0°	90°		D	K	Φ	L	
	mm	0°	90°	N.m	mm	mm	mm	mm	Kg
8-KEPSLR054-M6	6	0.4	0.15	10-15	28	13	16	42	0.05
8-KEPSLR054-M8	8	0.8	0.4	10-15	36	15	20	51	0.06
8-KEPSLR054-M10	10	1	0.4	10-15	45	18	25	63	0.11
8-KEPSLR054-M12	12	2	0.75	10-15	54	22	30	75	0.18
8-KEPSLR054-M14	14	3	1	20-30	63	28	35	89.5	0.28
8-KEPSLR054-M16	16	4	1.5	20-30	63	28	35	90	0.29
8-KEPSLR054-M18	18	5	2	50-70	72	30	40	101	0.42
8-KEPSLR054-M20	20	6	2.3	50-70	72	30	40	101	0.45
8-KEPSLR054-M22	22	7	2.8	130-160	81	34.5	45	115.5	0.67
8-KEPSLR054-M24	24	8	3.2	130-160	90	38	50	128	0.87
8-KEPSLR054-M27	27	10	4	180-220	90	38	60	128	0.88
8-KEPSLR054-M30	30	12	4.5	200-250	108	45	60	154	1.66
8-KEPSLR054-M33	33	14	5	250-270	108	45	60	154	1.72
8-KEPSLR054-M36	36	16	7	280-400	126	55	70	183	2.65
8-KEPSLR054-M39	39	20	8	280-400	126	55	70	183	2.80
8-KEPSLR054-M42	42	24	9	500-600	144	65	80	212	4.03
8-KEPSLR054-M45	45	28	10	500-600	144	65	80	212	4.25
8-KEPSLR054-M48	48	32	12	500-650	166	70	90	238	6.38
8-KEPSLR054-M52	52	36	13.5	600-900	166.5	70	90	238	6.60
8-KEPSLR054-M56	56	40	15	600-900	184	80	100	267	8.80
8-KEPSLR054-M64	64	50	17	600-900	206	90	110	293	12.40

Due to progressive development of products, KEPTO reserve the right to alter the specifications shown within this catalogue without notice.