



# PERMANENT MAGNETIC LIFTER



CAPACITY: 0.6 TO 3 TONNES



- Using High-performance Permanent Magnetic Materials, With Strong Magnetic Force, Unique Circuit Design, Remanence Almost Zero.
- High Safety Factor, Maximal Magnetic Force Is 3.5 Times Of Rated Lifting Capacity.
- Handle Switches With Safety Button, Easy For Single-hand Operation, more Safety And Convenience.
- "V" Style Design At The Bottom Of Lifter, Can Lift Round Steel And Steel Plate.

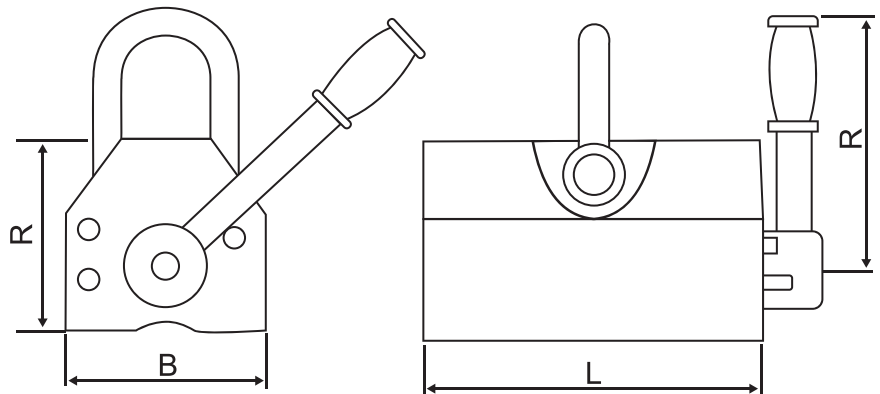


## TECHNICAL PARAMETERS

**Heavy Duty**

Product Code	Steel Plate			Round Plate			Test Max Pull Off Force	Dimension				Weight
	Max Load	Min Thickness	Max Length	Max Load	Max Diameter	Max Length		L	B	H	R	
	(Kg)	(mm)	(Kg)	(Kg)	(mm)	(Kg)	(mm)	(mm)	(mm)	(mm)	(mm)	(Kg)
KPML0100	100	15	1500	45	Φ 50	1000	350	94	72	78	145	3.2
KPML0200	200	20	1750	90	Φ 75	1250	750	146	72	81	145	5.4
KPML0400	400	25	2000	135	Φ 100	1750	1250	168	94	106	178	11
KPML0600	600	30	2250	270	Φ125	2000	2100	218	116	116	225	20
KPML1000	1000	40	2500	450	Φ150	2500	3500	272	145	145	295	40
KPML1500	1500	45	2750	675	Φ175	2750	5000	342	145	145	295	48
KPML2000	2000	55	3000	900	Φ 200	3000	6000	388	160	170	365	74
KPML3000	3000	60	3000	1350	Φ 225	3000	9000	460	185	185	425	105
KPML5000	5000	70	3000	/	/	/	15000	568	250	255	900	248
KPML10000	10000	120	3000	/	/	/	30000	586	567	308	1200	750

Extra Lift & higher sizes are available on request. Due to continual development of products, manufacturer reserves the right to modify design, dimensional parameters and component and composition of material without prior notice



**Assembly Drawing**