



ELECTRIC WIRE ROPE HOIST - EURO DUAL SPEED

WITH SCHNEIDER VFD



Heavy duty

Double Speed

CAPACITY: 1 TO 10 TONNES



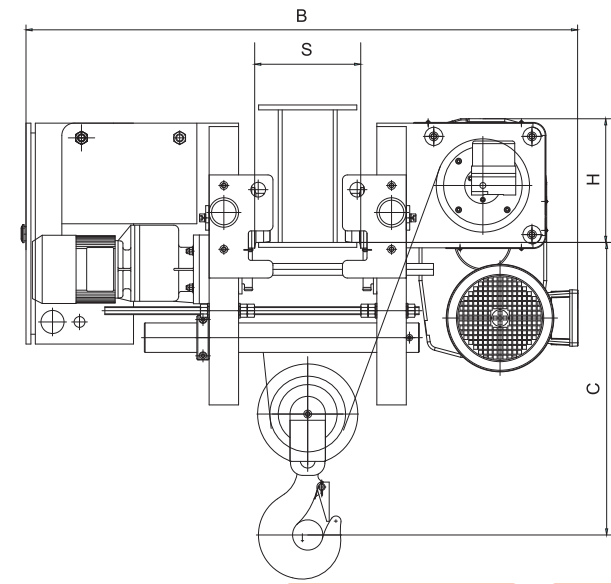
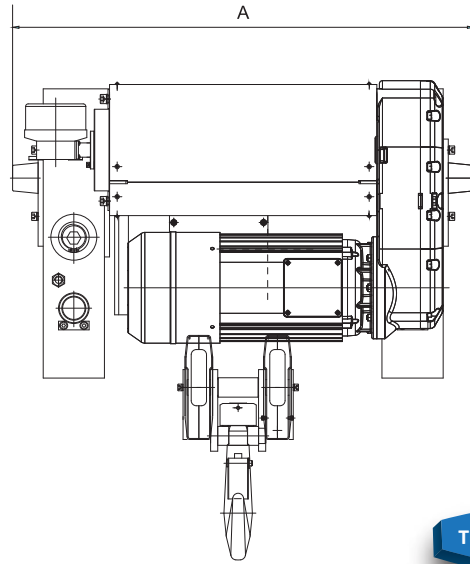
- Robust Design - IS 3938
- Tested Quality Steel Frame - IS 2062
- Gears Machined out of EN-352 International Standard Steel
- Hooks Free To Rotate & Swivel - IS 8610
- Control Voltage - 110 Volt
- Wire Rope 8xk19+IWRC-LHOL-2160
- Dc Brake For Main Hoisting And Cross Travel
- Schneider Contactors - Silver Touch Points
- Protection - Rotary Limit Switch, Side Pressure Limit Thermal Overload Protection & Relay
- Safe Load Indicator, Fall Protection
- LED Display Screen (Optional)



Noise Less



Low Maintenance



TECHNICAL PARAMETERS

Heavy duty **Double Speed**

Capacity		Tonnes	3.2			5			10		
Item Codes	KEWRH		410306-DS	410309-DS	410312-DS	410506-DS	410509-DS	410512-DS	411006-DS	411009-DS	411012-DS
Lifting Height	Mtr.		6	9	12	6	9	12	6	9	12
No Of Falls	Mtr.		4/1	4/1	4/1	4/1	4/1	4/1	4/1	4/1	4/1
Wire Rope Dia	mm		6	6	6	8	8	8	11	11	11
Work Level FEM/ISO			2m/M5	2m/M5	2m/M5	2m/M5	2m/M5	2m/M5	2m/M5	2m/M5	2m/M5
Lifting Speed	m/min		5/0.8	5/0.8	5/0.8	5/0.8	5/0.8	5/0.8	5/0.8	5/0.8	5/0.8
Lifting Power	Kw		3.2/0.45	3.2/0.45	3.2/0.45	6/0.9	6/0.9	6/0.9	9.5/1.5	9.5/1.5	9.5/1.5
Travelling Speed	m/min		5-20	5-20	5-20	5-20	5-20	5-20	5-20	5-20	5-20
Travelling Power	Kw		0.64	0.64	0.64	0.64	0.64	0.64	0.95	0.95	0.95
Dimension	H	mm	243	243	243	255	255	255	315	315	315
	C	mm	556	556	556	596	596	596	750	750	750
	A	mm	932	1082	1282	940	1090	1290	940	1090	1290
	B	mm	1087-1587	1087-1587	1087-1587	1095-1395	1095-1395	1095-1395	1282-1582	1282-1583	1282-1584
	S	mm	200-500	200-500	200-500	200-500	200-500	200-500	200-500	200-500	200-500

Extra Lift & higher sizes are available on request. Due to continual development of products, manufacturer reserves the right to modify design, dimensional parameters and component and composition of material without prior notice