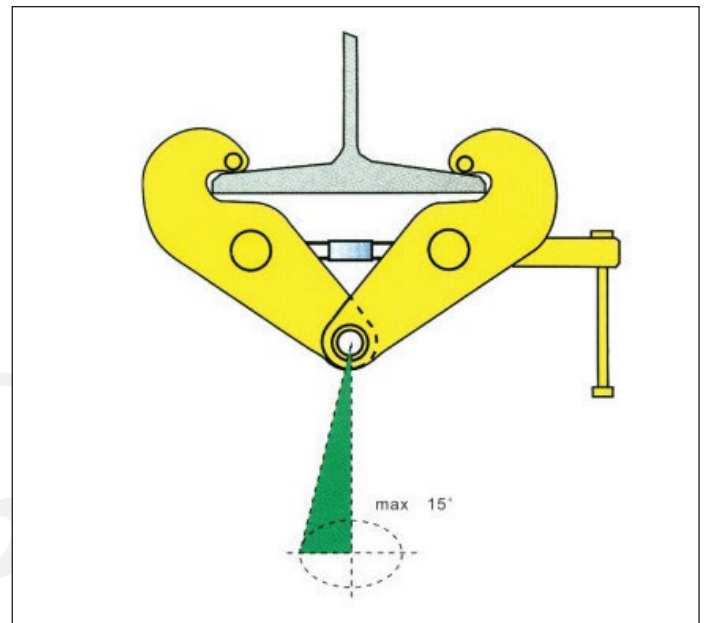




KEPRO BEAM CLAMP

SALIENT FEATURES



TECHNICAL PARAMETERS

Product Code	WLL (T)	Jaw Opening (mm)	Weight (kg)
KBLC0100	1	75-230	3.85
KBLC0200	2	75-230	5
KBLC0300	3	80-320	9
KBLC0500	5	90-320	11
KBLC1000	10	90-320	14

Higher sizes are available on request. Due to continual development of products, manufacturer reserve the right to modify design, dimensional parameters and component material without prior notice