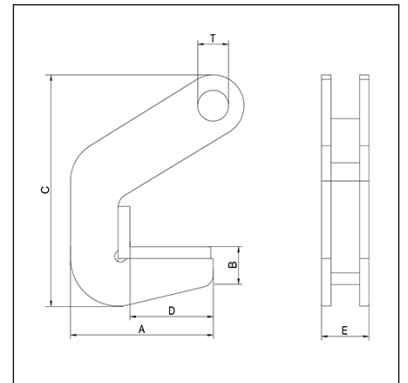
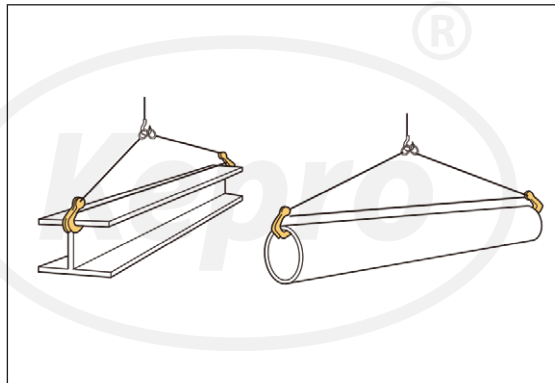




PIPE LIFTING CLAMP

SALIENT FEATURES

- The TPH pipe plate clamps for horizontal lifting and transporting of steel and concrete pipes.
- Compact shape and relatively low unit weight with a high lifting W.L.L.
- The surface is equipped with "special" plastic.
- Plastic cover replacement parts are available and easy to change.



TECHNICAL PARAMETERS

Product Code	WLL (T)	Jaw Opening (mm)	Dimension (mm)						Weight (kg)
			A	B	C	D	E	T	
KPLC0150	1.5	40	122	30	195	70	39	Φ25	2.2
KPLC0300	3.0	40	122	30	195	70	39	Φ25	2.6
KPLC0400	4.0	50	122	30	215	70	39	Φ28	2.9
KPLC0600	6.0	50	122	30	215	70	39	Φ28	3.5
KPLC0800	8.0	70	126	30	240	70	39	Φ28	3.8
KPLC1200	12.0	70	160	30	260	90	45	Φ36	6.7
KPLC1600	16.0	70	168	30	272	90	50	Φ37	9.4
KPLC1800	18.0	70	183	30	292	90	50	Φ37	13
KPLC2000	20.0	70	220	30	333	06	50	Φ45	19.3

Higher sizes are available on request. Due to continual development of products, manufacturer reserve the right to modify design, dimensional parameters and component material without prior notice