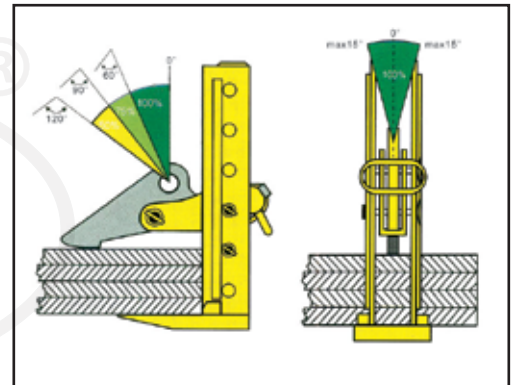
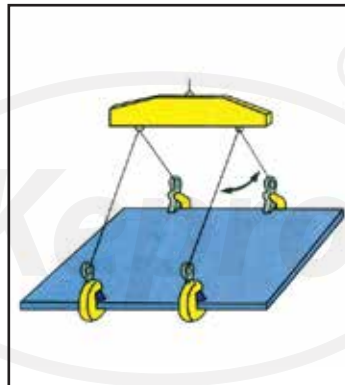
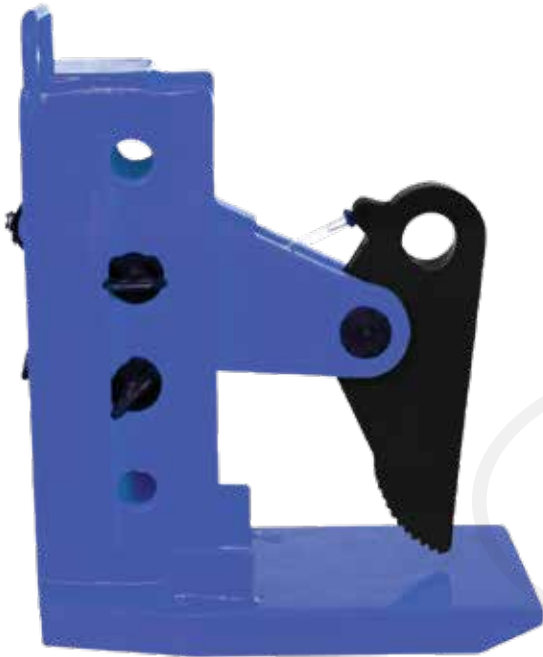




MULTI PLATE LIFTING CLAMP

SALIENT FEATURES

- Manufactured from high quality carbon steel.
- Avoid snatch or shock loading.
- The working load limit is the maximum load that the clamp are authorized to support when used in pairs with a lift angle of 60°. In lifting operations the clamps can be used in pairs or multiples.
- According to the plate can be suspended adjust the thickness of the clamp position of the tongue.



TECHNICAL PARAMETERS

Product Code	WLL (T)	Jaw Opening (mm)	Weight (kg)
KTLC0500	3.0	0-180	19
KTLC1000	4.5	0-240	26
KTLC2000	6.0	0-240	40
KTLC3000	8.0	0-240	51
KTLC5000	15.0	0-240	72

Higher sizes are available on request. Due to continual development of products, manufacturer reserve the right to modify design, dimensional parameters and component material without prior notice