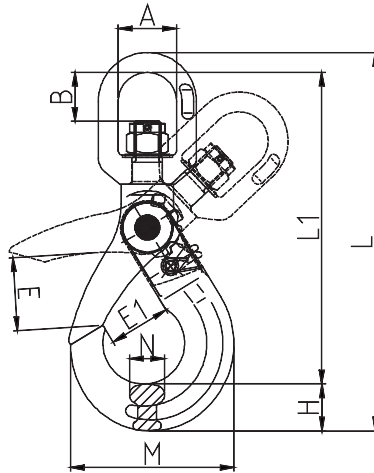




**SLR** <sup>®</sup> Since 1965  
RIGGING

# RIGGING HARDWARES

## SELF LOCK SWIVEL HOOK



### TECHNICAL PARAMETERS

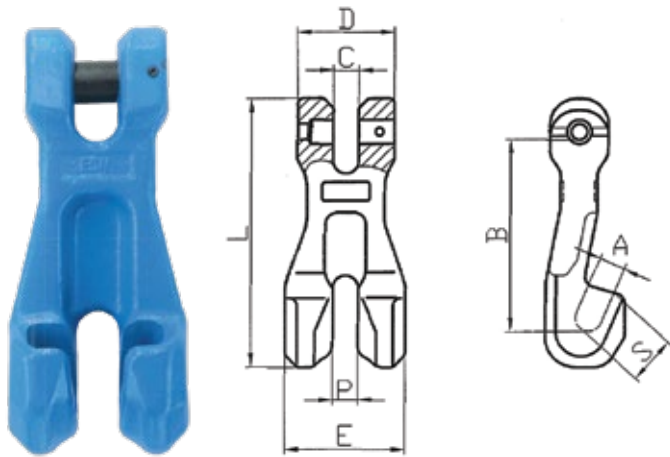
Product Code	WLL (Ton)	B.L. (Ton)	A (mm)	B (mm)	E (mm)	E1 (mm)	L1 (mm)	L (mm)	H (mm)	N (mm)	M (mm)
8-SLR-755-06	1.12	4.48	32.5±1	25.5±2	32±2	28±1	152±3	184±3	20±1	15±0.5	73±2
8-SLR-755-7/8	2	8	36±1	29.5±2	40±3	35±1	189±3	228±3	26±1	20±0.5	91±2
8-SLR-755-10	3.15	12.6	42±1	35±2	48±3	45±2	223±3	268±3	30±1.5	26±1	108±2
8-SLR-755-13	5.3	21.2	50±1	41±2	57±3	52.5±2	267±4	323±4	40±1.5	33±1	142±3
8-SLR-755-16	8	32	61±1.5	58±2.5	65±4	63±2	339±4	413±4	50.5±2	38±2	168.6±3
8-SLR-755-18/20	12.5	50	72±1.5	63±2.5	82±4	82±3	370±5	452±5	55±2	50±2	185±4
8-SLR-755-22	15	60	97±2	98±3	80±5	76±3	466±5	564±5	67±2	52±2	202±4
8-SLR-755-26	21.2	84.8	123±2	115±3	109±5	96±4	544±6	661±6	75±3	60±3	239±5
8-SLR-755-32	31.5	126	140±2	147±3	131±6	131±4	679±6	830±6	97±3	79.5±3	329±5

Higher sizes are available on request. Due to continual development of products, manufacturer reserve the right to modify design, dimensional parameters and component material without prior notice.



## CLEVIS CHAIN SHORTENER

### TECHNICAL PARAMETERS



Product Code	WLL (Ton)	B.L. (Ton)	P (mm)	A (mm)	B (mm)	C (mm)	D (mm)	E (mm)	S (mm)	L (mm)
8-SLR-073-06	1.12	4.48	7.5±0.5	8±0.5	50.5±2	7.5±0.5	30±2	33±2	12±1	73±2
8-SLR-073-7/8	2	8	9.5±0.5	10.5±0.5	71±2	9.5±0.5	36±2	45±2	17±1	101±2
8-SLR-073-10	3.15	12.6	13±0.5	12.4±0.5	104±2.5	13±0.5	48±2	55±2	28±1	138±2
8-SLR-073-13	5.3	21.2	16.5±1	16±1	115±2.5	16.5±1	59±2	75±2.5	34.5±2	177±2
8-SLR-073-16	8	32	21±1.5	19.5±1	162±3	21±1.5	73±2.5	93±2.5	40±2	220±3
8-SLR-073-18/20	12.5	50	23.5±1.5	23±1.5	175±3	23.5±1.5	81±2.5	102±3	46±2	238±3
8-SLR-073-22	15	60	25.5±1.5	26±1.5	221±4	25.5±1.5	98±2.5	118±3	57.5±2.5	295±4

Higher sizes are available on request. Due to continual development of products, manufacturer reserve the right to modify design, dimensional parameters and component material without prior notice.