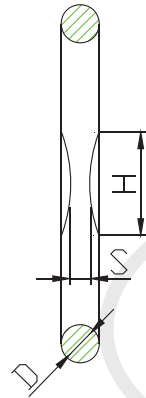
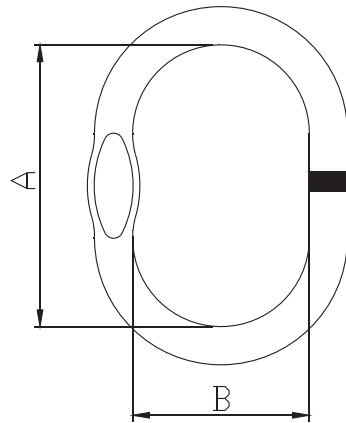




MASTER LINK



TECHNICAL PARAMETERS

Product Code	WLL (Ton)	BLL (Ton)	A±6 (mm)	B±5 (mm)	D±1.5 (mm)	S x H (mm)
8-SLR-33-76-8	1.6	6.4	110	60	14	7±0.3 x 25
8-SLR-33-87-8	2.12	8.48	110	60	16	7±0.5 x 28
8-SLR-33-108-8	3.15	12.6	135	75	18	8±0.5 x 30
8-SLR-33-1310-8	5.3	21.2	160	90	22	11±0.5 x 43
8-SLR-33-16 13-8	8	32	180	100	25	13±0.5 x 43
8-SLR-33-18 16-8	11.2	44.8	200	110	32	17±0.5 x 55
8-SLR-33-20 18-8	14	56	260	140	36	19±0.5 x 60
8-SLR-33-22 20-8	17	68	300	160	40	20±0.5 x 64
8-SLR-33-26 22-8	21.2	84.8	340	180	45	--
8-SLR-33-32 26-8	31.5	126	350	190	50	--
8-SLR-33-36 32-8	45	180	406	203	57	--
8-SLR-33-40 36-8	56	224	430	220	63	--
8-SLR-33-72-8	63	252	460	250	72	--

Higher sizes are available on request. Due to continual development of products, manufacturer reserve the right to modify design, dimensional parameters and component material without prior notice