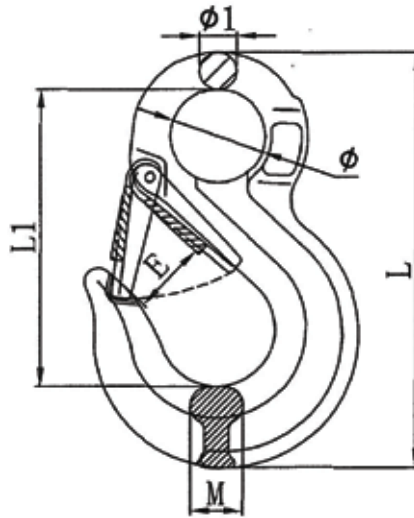




EYE SLING HOOK

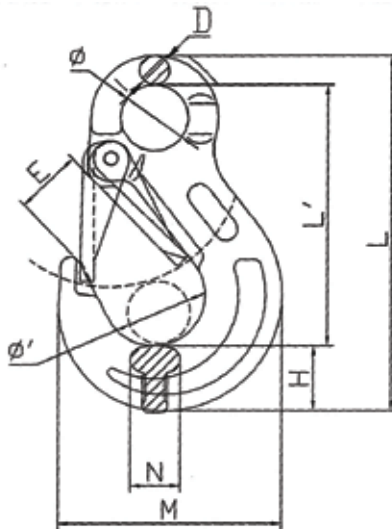


TECHNICAL PARAMETERS

Product Code	WLL (Ton)	B.L. (Ton)	Ø1 (mm)	E (mm)	Ø (mm)	L1 (mm)	L (mm)	M (mm)
8-SLR-13-06	1.12	4.48	9±1	20.5±2	20±1	80±3	108±4	13.5±1
8-SLR-13-7/8	2	8	11±1	26±2	25±1	98.5±3	133±4	18±1
8-SLR-13-10	3.15	12.6	15±1	26±2	38±2	120±4	167.5±5	22±1
8-SLR-13-13	5.3	21.2	19±1.5	37±3	43±2	152±4	213.5±5	27±1
8-SLR-13-16	8	32	23±1.5	40±3	50±2	185.5±4	255±6	34±2
8-SLR-13-20	12.5	50	24±1.5	43±3	63±3	219±5	304±6	42±2
8-SLR-13-22	15	60	32±2	68±4	62±3	241±5	348.5±6	44±2
8-SLR-13-26	21.2	84.8	35±2	82±5	64±3	279±5	395±7	60±3
8-SLR-13-32	31.5	126	37±2	100±5	88±3	355±6	480±8	66±3

Higher sizes are available on request. Due to continual development of products, manufacturer reserve the right to modify design, dimensional parameters and component material without prior notice

EYE SLING HOOK



TECHNICAL PARAMETERS

Product Code	WLL (Ton)	B.L. (Ton)	Ø (mm)	Ø' (mm)	D (mm)	E (mm)	H (mm)	M (mm)	N (mm)	L (mm)	L' (mm)
8-SLR334-06	1.12	4.48	20.5±1	17 ⁺¹ ₋₂	9±0.5	20±1.5	20±1	68 ⁺¹ ₋₂	15±1	109±2	80±2
8-SLR334-7/8	2	8	25±1	24 ⁺¹ ₋₂	11±0.5	23±1.5	27±1	84 ⁺¹ ₋₂	18±1	133.5±2	95.5±2
8-SLR334-10	3.15	12.6	34±1	29 ⁺¹ ₋₂	14±0.5	28±2	33±1.5	102.5 ⁺¹ ₋₃	23.5±2	167±3	121±3
8-SLR334-13	5.3	21.2	42.5±1.5	36 ⁺¹ ₋₂	17.5±1	35±2	40±1.5	128.5 ⁺¹ ₋₃	30±2	207.5±3	150±3
8-SLR334-16	8	32	52±1.5	54 ⁺¹ ₋₂	22±1	45±2	48±1.5	156.5 ⁺¹ ₋₃	35.5±2	253±3	183±3
8-SLR334-20	12.5	50	62±1.5	66 ⁺¹ ₋₃	26±1	51.5±3	56±1.5	187 ⁺¹ ₋₃	42±2	300±4	218±4

Higher sizes are available on request. Due to continual development of products, manufacturer reserve the right to modify design, dimensional parameters and component material without prior notice