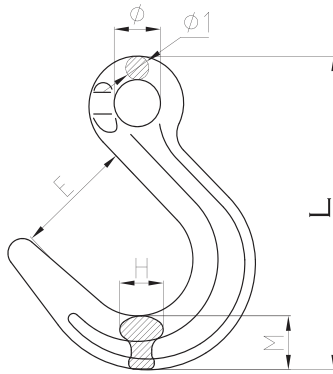




EYE FOUNDRY HOOK

TECHNICAL PARAMETERS



Product Code	WLL (Ton)	BLL (Ton)	E (mm)	H (mm)	M (mm)	Ø (mm)	Ø1 (mm)	L (mm)
8-SLR116-1.12T	1.12	4.48	49 ⁺¹ ₋₂	17±0.5	19±0.5	20 ^{+0.5} ₋₁	10±0.5	133 ⁺¹ ₋₃
8-SLR116-2.0T	2	8	62 ⁺¹ ₋₂	19±0.5	27±0.5	24 ^{+0.5} ₋₁	12±0.5	158.5 ⁺¹ ₋₃
8-SLR116-3.2T	3.15	12.6	73 ⁺² ₋₃	25±1	30±1	31.5 ^{+0.5} ₋₁	15±0.5	199 ⁺² ₋₄
8-SLR116-5.3T	5.3	21.2	90 ⁺² ₋₃	33±1	39±1	44 ⁺¹ ₋₂	19±0.5	241.5 ⁺² ₋₄
8-SLR116-8T	8	32	105 ⁺² ₋₃	37±2	42±1	49 ⁺¹ ₋₂	22±1	330 ⁺² ₋₄
8-SLR116-12.5T	12.5	50	114 ⁺³ ₋₄	46±2	57±2	60 ⁺² ₋₃	26±1	279 ⁺³ ₋₄
8-SLR116-15T	15	60	123 ⁺³ ₋₄	60±3	70±2	64 ⁺² ₋₃	31±2	376 ⁺³ ₋₅

Higher sizes are available on request. Due to continual development of products, manufacturer reserve the right to modify design, dimensional parameters and component material without prior notice